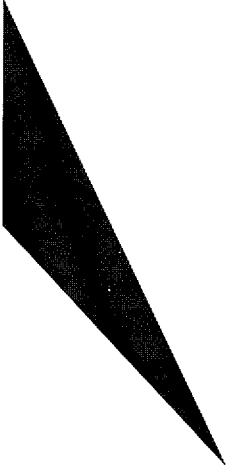


DL6400Pro/DL6600Pro  
DOT MATRIX PRINTER  
PARTS CATALOGUE





This document is used for maintenance purpose only.  
The illustration of the part does not guarantee its availability.



**DL6400Pro / DL6600Pro**  
**DOT MATRIX PRINTER**  
**PARTS CATALOGUE**

FUJITSU LIMITED  
Communications and Electronics  
Tokyo, Japan



<b>REVISION RECORD</b>		
<b>Edition</b>	<b>Date published</b>	<b>Revised contents</b>
01	July 1998	First issue
Specification No.C147-G010-01EN		

The contents of this manual may be revised without prior notice.

All Rights Reserved, Copyright © 1998 FUJITSU LIMITED. Printed in Japan.

No part of this manual may be reproduced in any form without permission.

Address your comments and inquiries on this manual to:

FUJITSU COMPUTER PRODUCTS OF  
AMERICA, INC.  
2904 Orchard Parkway, San Jose  
CA 95134-2022, U.S.A.  
TEL: (1-408) 432-6333  
FAX: (1-408) 894-1709

FUJITSU CANADA INC.  
2800 Matheson Boulevard East  
Mississauga, Ontario L4W 4X5, CANADA  
TEL: (1-905) 602-5454  
FAX: (1-905) 602-5457

FUJITSU AUSTRALIA LIMITED  
475 Victoria Avenue, Chatswood  
N.S.W., 2067, AUSTRALIA  
TEL: (61-2) 410-4555  
FAX: (61-2) 411-8603

FUJITSU DEUTSCHLAND GmbH.  
Frankfurter Ring 211  
80807 München, GERMANY  
TEL: (49-89) 32378-0  
FAX: (49-89) 32378-100

FUJITSU ESPAÑA, S.A.  
Almagro 40, 28009 Madrid, SPAIN  
TEL: (34-1) 581-8400  
FAX: (34-1) 581-8125

FUJITSU EUROPE LTD.  
2 Longwalk Road, Stockly Park, Uxbridge  
Middlesex UB11 1AB, ENGLAND  
TEL: (44-81) 573-4444  
FAX: (44-81) 573-2643

FUJITSU FRANCE S.A.  
1, place des Etats-Unis Silic 310  
94588 RUNGIS Cedex, FRANCE  
TEL: (33-1) 41-80-38-80  
FAX: (33-1) 41-80-38-66

FUJITSU HONG KONG LIMITED  
Room 2521, Sun Hung Kai Centre  
30 Harbour Road, HONG KONG  
TEL: (852) 827-5780  
FAX: (852) 827-4724

FUJITSU ICIM LTD.  
Nagar Road, Pune 411 014, INDIA  
TEL: (91-212) 681-528  
FAX: (91-212) 680-238

FUJITSU ITALIA S.p.A.  
Via Nazario Sauro, 38  
20099 Sesto S. Giovanni (MI), ITALY  
TEL: (39-2) 26294-1  
FAX: (39-2) 26294-201

FUJITSU KOREA LIMITED  
6th Floor, Duk-Heung Bldg.  
1328-10, Seocho-Dong, Seocho-Ku  
Seoul, KOREA  
TEL: (82-2) 587-6977  
FAX: (82-2) 582-3575

FUJITSU NORDIC AB  
Kung Hans Väg 12  
S-191 76 Sollentuna, SWEDEN  
TEL: (46-8) 626-6000  
FAX: (46-8) 626-6711

FUJITSU (SINGAPORE) PTE. LTD.  
75 Science Park Drive  
#02-06 CINTECH II, SINGAPORE 0511  
TEL: (65) 777-6577  
FAX: (65) 777-8794

FUJITSU SYSTEMS BUSINESS  
(MALAYSIA) SDN. BHD.  
Fujitsu Plaza, 1A, Jalan Tandang 204  
P.O. Box 636 Pejabat Pos Jalan Sultan  
46770 Petaling Jaya  
Selangor Darul Ehsan, MALAYSIA  
TEL: (60-3) 793-3888  
FAX: (60-3) 793-0888

FUJITSU SYSTEMS BUSINESS  
(THAILAND) LTD.  
12th Floor, Olympia Thai Tower  
444 Rachadapisek Road, Samsennok  
Huaykwang, Bangkok 10310, THAILAND  
TEL: (662) 512-6066  
FAX: (662) 512-6068

FUJITSU TAIWAN LTD.  
8th FL., NO. 170, Hung Tai Center  
Tun Hwa N. RD., Taipei, TAIWAN  
TEL: (886-2) 545-7700  
FAX: (886-2) 717-4644

FUJITSU LIMITED  
Computer Products Business Group  
Kamikodanaka 4-1-1, Nakahara-ku  
Kawasaki-shi 211, JAPAN  
TEL: (81-44) 754-8633  
FAX: (81-44) 754-8510



## PREFACE

This is the parts catalogue for the DL6400Pro/6600Pro dot matrix printer.

This manual is for service engineers.

There are several models of DL6400Pro/6600Pro dot matrix printers.  
This manual covers all models.

This manual consists of two parts: Parts List and Parts Drawing.  
The parts list has layer structure. You can find assembly levels.  
The parts drawing does not have the layer structure.  
You can see the model difference from the parts list easily.

There are other manuals for service engineers as follows.  
Especially the maintenance manual has close relationship to this manual.

DL6400Pro/6600Pro Dot Matrix Printer Maintenance Manual  
DL6400Pro/6600Pro Dot Matrix Printer Schematic Diagrams  
DL6400Pro/6600Pro Dot Matrix Printer User's Manual  
DL6400Pro/6600Pro Dot Matrix Printer Product Description

This document contains technology relating to strategic products controlled by export control laws of the producing and/or exporting countries. This document or a portion thereof should not be exported (or reexported) without authorization from the appropriate governmental authorities in accordance with such laws.

**FUJITSU LIMITED**



# CONTENTS

<b>1. HOW TO REFER TO THIS MANUAL</b> .....	<b>1-1</b>
<b>2. SPECIFICATIONS</b> .....	<b>2-1</b>
<b>3. PARTS LIST AND PARTS DRAWING OF PRINTER MECHANISM</b> .....	<b>3-1</b>
3.1 DL6400PRO/DL6600PRO Printer .....	3-1
3.2 DL6400PRO/DL6600PRO Printer Upper Cover Assembly .....	3-5
3.3 DL6400PRO/DL6600PRO Printer Lower Cover Assembly .....	3-7
3.4 DL6400PRO/DL6600PRO Printer Mecha Unit .....	3-9
3.4.1 DL6400PRO/DL6600PRO Printer Mecha Unit (Frame Assembly) .....	3-9
3.4.2 DL6400PRO/DL6600PRO Printer Mecha Unit (Front Stay Assembly, Carrier Assembly) .....	3-11
3.4.3 DL6400PRO/DL6600PRO Printer Mecha Unit (Roller Assembly) .....	3-15
3.4.4 DL6400PRO/DL6600PRO Printer Mecha Unit (Side Frame Assembly) .....	3-17
3.4.5 DL6400PRO/DL6600PRO Printer Mecha Unit (Front Tracter Assembly) .....	3-23
3.4.6 DL6400PRO/DL6600PRO Printer Mecha Unit (Lower Paper Guide Assembly) .....	3-25



# 1. HOW TO REFER TO THIS MANUAL

Example:

No. ①	Composition & Quantity		spec.	Parts name (Description)	DL6400 Pro ⑤	DL6600 Pro ⑥	Remarks
	②	④					
1-20	1 1	④	CA04298-G77103	LOWER COVER ASY	○		
1	1		CA04299-G77103	LOWER COVER ASY		○	
2	1		CA04298-G77403	LOWER COVER SUB ASY	○	○	
3	1		CA02393-Y773	SHIELD PLATE	○	○	
4	1		CA02129-Y79302	BOTTON	○	○	
5	1		CA02129-Y77503	AC SW BRACKET	○	○	
6	1		CA02464-G776	AC SW SUB ASY	○	○	
③ 7-10		1	F6-SN2TP3-08	SCREW	○	○	
7		1	CA02464-G778	AC BRACKET ASY	○	○	
8		1	CA02464-Y777	AC BRACKET	○	○	
9		2	CA02464-G779	INLET ASY	○	○	
10		1	F6-SSA3-06111	SCREW	○	○	
11		2	F6-SW2N4-06121	SCREW	○	○	
12-14		1	F6-SW2N4-10111	SCREW	○	○	
12'-14		1	CA02393-G781	INF BRACKET ASY	○		
12		1	CA02515-G781	INF BRACKET ASY		○	
12'		1	CA02393-Y781	INF BRACKET	○		
13		1	CA02393-Y781	INF BRACKET		○	
14		1	CA02129-Y785	FG PLATE	○	○	
		1	CA02129-Y115	RUBBER FOOT	○	○	

- ① This figure shows the item number of the part in the drawing.
- ② These columns show the construction levels. A higher-level part consists of the following lower-level parts listed until the quantity of the next part appears at the same level.
- ③ m-n shows an assembly or unit consisting of more than one part. The AC bracket asy consists of an AC bracket, an inlet asy, two screws (F6-SSA3-06111), and a screw (F6-SW2N4-06121).
- ④ The assemblies or units of the same item number(s) use the same drawing, but have variations in component parts.
- ⑤ Used for DL6400 Pro only.
- ⑥ Used for DL6600 Pro only.

## 2. SPECIFICATIONS

The table below lists standard models of the DL6400Pro printer.

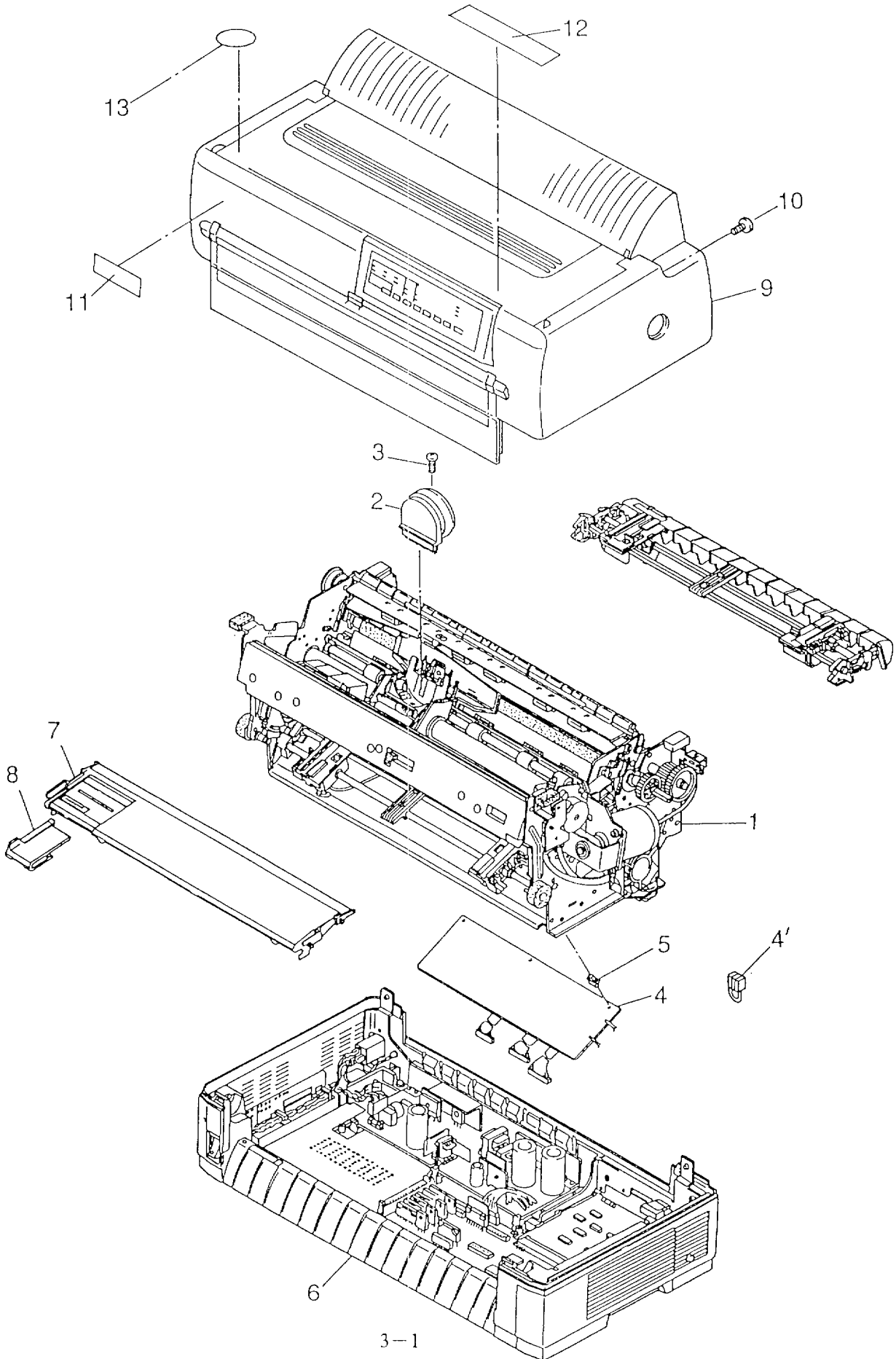
No.	Spec.	Voltage	Interface	Paper thickness control	Inter-lock	Control Panel	Area	Remarks
1	CA04298-B102	100-120 V	Centro	Manual	○	LED	For FCPA	
2	CA04298-B103	100-120 V	Centro	Manual	○	LED	For FCI	
3	CA04298-B108	100-120 V	Centro	Manual	○	LED	For ASIA	
4	CA04298-B119	220-240 V	Centro	Manual	○	LED	For ASIA	
5	CA04298-B140	220-240 V	Centro	Manual	○	LED	For EUROPE	Country Kit Version
6	CA04298-B151	220-240 V	Centro	Manual	○	LED	For FAL	
7	CA04298-B202	100-120 V	Centro + RS	Manual	○	LED	For FCPA	
8	CA04298-B203	100-120 V	Centro + RS	Manual	○	LED	For FCI	
9	CA04298-B208	100-120 V	Centro + RS	Manual	○	LED	For ASIA	
10	CA04298-B219	220-240 V	Centro + RS	Manual	○	LED	For ASIA	
11	CA04298-B228	100-120 V	Centro + RS	Manual	○	LED	For FTL-WEL	
12	CA04298-B240	220-240 V	Centro + RS	Manual	○	LED	For EUROPE	Country Kit Version
13	CA04298-B251	220-240 V	Centro + RS	Manual	○	LED	For FAL	

The table below lists standard models of the DL6600Pro printer.

No.	Spec.	Voltage	Interface	Paper thickness control	Inter-lock	Control Panel	Area	Remarks
1	CA04299-B102	100-120 V	Centro	Manual	○	LED	For FCPA	
2	CA04299-B103	100-120 V	Centro	Manual	○	LED	For FCI	
3	CA04299-B108	100-120 V	Centro	Manual	○	LED	For ASIA	
4	CA04299-B119	220-240 V	Centro	Manual	○	LED	For ASIA	
5	CA04299-B140	220-240 V	Centro	Manual	○	LED	For EUROPE	Country Kit Version
6	CA04299-B151	220-240 V	Centro	Manual	○	LED	For FAL	
7	CA04299-B202	100-120 V	Centro + RS	Manual	○	LED	For FCPA	
8	CA04299-B203	100-120 V	Centro + RS	Manual	○	LED	For FCI	
9	CA04299-B208	100-120 V	Centro + RS	Manual	○	LED	For ASIA	
10	CA04299-B219	220-240 V	Centro + RS	Manual	○	LED	For ASIA	
11	CA04299-B228	100-120 V	Centro + RS	Manual	○	LED	For FTL-WEL	
12	CA04299-B229	100-120 V	Centro + RS	APTC	○	LED	For ASIA	
13	CA04299-B240	220-240 V	Centro + RS	Manual	○	LED	For EUROPE	Country Kit Version
14	CA04299-B251	220-240 V	Centro + RS	Manual	○	LED	For FAL	
15	CA04299-B440	220-240 V	Centro + RS	APTC	○	LCD	For FEL	Country Kit Version

### 3. PARTS LIST AND PARTS DRAWING OF PRINTER MECHANISM

#### 3.1 DL6400PRO/DL6600PRO PRINTER



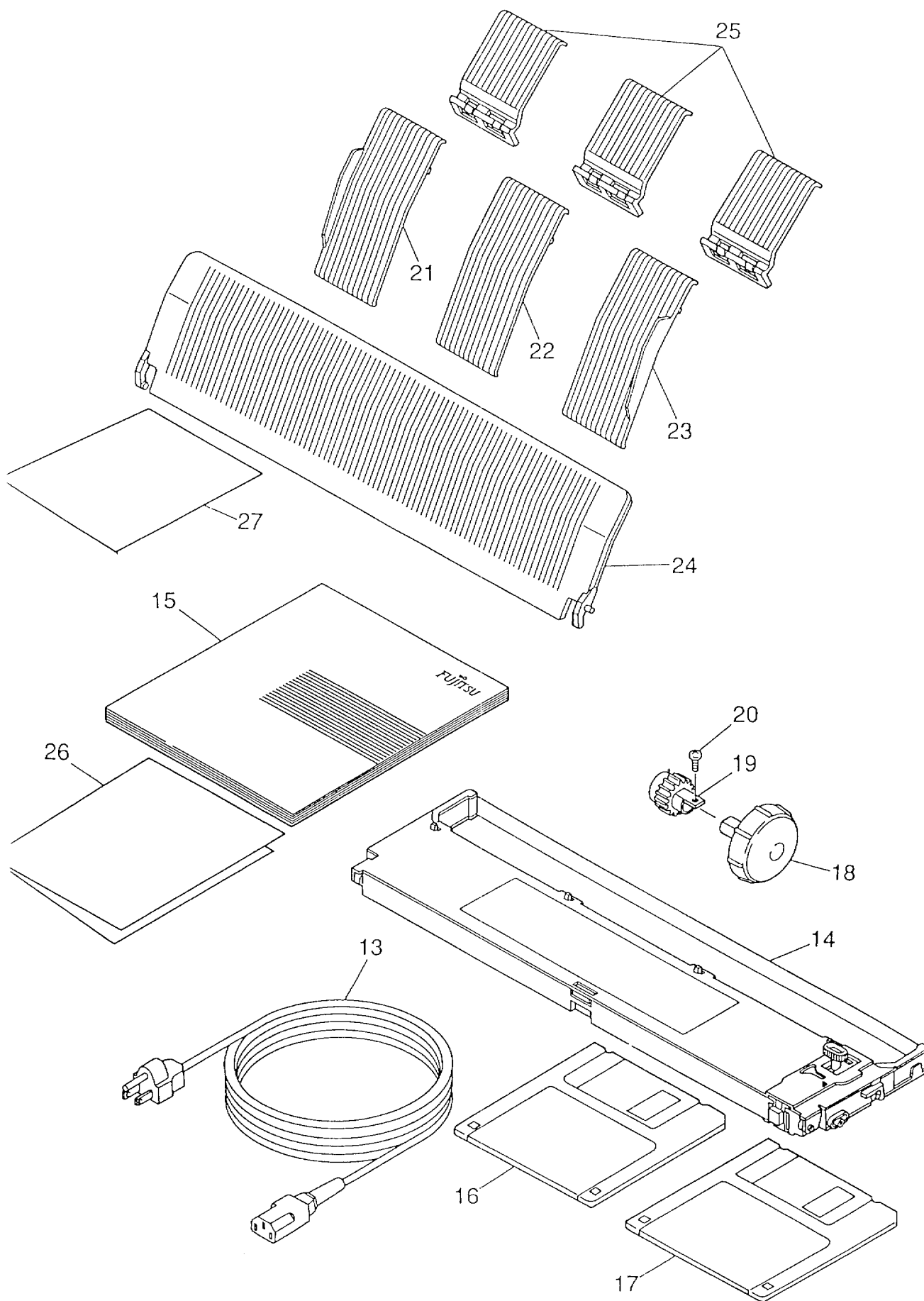


3.1 DL6400PRO/DL6600PRO PRINTER

No.	Composition & Quantity				spec.	Parts name (Description)	DL6400 Pro	DL6600 Pro	Remarks
1-24	1				CA04298-B***	DL6400PRO PRINTER	○		
	1				CA04299-B***	DL6600PRO PRINTER		○	
1 - 6		1			CA04298-C***	DL6400PRO PRINTER	○		
		1			CA04299-C***	DL6600PRO PRINTER		○	
1 - 5			1		CA04298-D121	PRINTER UNIT	○		MANUAL
			1		CA04298-D221	PRINTER UNIT	○		APTC
			1		CA04299-D101	PRINTER UNIT		○	MANUAL
			1		CA04299-D201	PRINTER UNIT		○	APTC
1				1	CA04298-E121	PRINTER MECHA UNIT	◎		MANUAL
				1	CA04298-E221	PRINTER MECHA UNIT	◎		APTC
				1	CA04299-E101	PRINTER MECHA UNIT		◎	MANUAL
				1	CA04299-E201	PRINTER MECHA UNIT		◎	APTC
2				1	D86B-1138-D363	PRINT HEAD	○		MANUAL
				1	D86B-1138-D369	PRINT HEAD	○		APTC
				1	D86B-1138-D353	PRINT HEAD		○	MANUAL
				1	D86B-1138-D359	PRINT HEAD		○	APTC
3				2	F6-SW2NA4-20111	SCREW	○	○	
4				1	CA04298-F835	CONNECTOR BOARD UNIT	◎	◎	MANUAL
				1	CA04298-F830	CONNECTOR BOARD UNIT	◎	◎	APTC
5				3	CT-KGS-3S-KITAGAWA	LOCKING CARD SPACER	○	○	
6			1		-----	LOWER COVER ASSEMBLY	○	○	
7 - 8		1			CA04298-F80102	T.TABLE UNIT (CUT SHEET TRAY)	○	○	
7			1		CA02129-G80402	CUT SHEET TRAY	○	○	
8			1		CA02129-Y80302	CUT SHEET GUIDE	○	○	
9		1			-----	UPPER COVER ASSEMBLY	○	○	
10		2			F6-SW2N4-10121	SCREW	○	○	
11		1			CA04298-Y875	LOGO LABEL	○		
		1			CA04299-Y875	LOGO LABEL		○	
12		1			CA02464-Y711	TOP COVER LABEL	○	○	
13		1			D370-4022-0943	LABEL	○	○	FOR FCI

※◎:RECOMMENDED SPARE PARTS

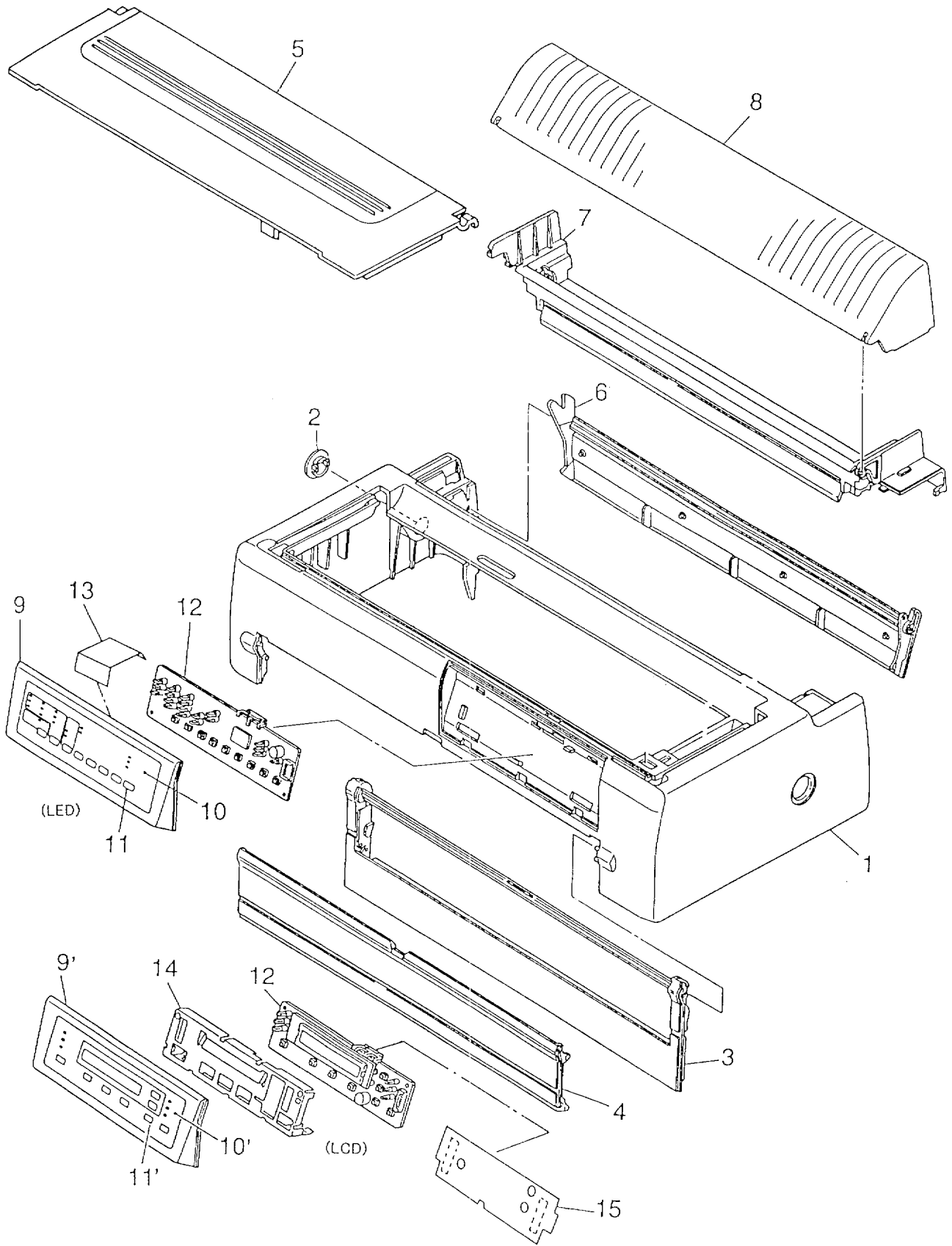
### 3.1 DL6400PRO/DL6600PRO PRINTER (ACCESSORY)



3.1 DL6400PRO/DL6600PRO PRINTER (ACCESSORY)

No.	Composition & Quantity			spec.	Parts name (Description)	DL6400 Pro	DL6600 Pro	Remarks
13-23	1			CA04298-H***	ACCESSORY	○		
	1			CA04299-H***	ACCESSORY		○	
13		1		CA63028-3001	AC POWER CORD	○	○	100V
		1		CT-SP10-KDK	AC POWER CORD	○	○	200V
		1		CT-SP12-KDK	AC POWER CORD	○	○	200V
14		1		CA02460-D115	RIBBON CASSETTE	○	○	FJ BRAND
15		1		C147-E041-****	USER'S MANUAL	○	○	
16		1		CA04298-D001	PRINTER DRIVER	○	○	
17		1		CA04298-D002	DL MENU	○	○	FOR FAL
18-20		1		CA02129-G74302	PLATEN KNOB	○	○	
18			1	CA02129-Y74302	PLATEN KNOB	○	○	
19			1	CA02129-Y745	KNOB GEAR	○	○	
20			1	F6-SN2TP3-06	TAPPING SCREW	○	○	
20-23		1		CA02393-G74002	SHEET GUIDE ASSY	○	○	
21			1	CA02393-Y73702	GUIDE L	○	○	
22			1	CA02393-Y73802	GUIDE C	○	○	
23			1	CA02393-Y73902	GUIDE R	○	○	
24			1	CA02393-Y74002	SHEET GUIDE	○	○	
25		3		CA02393-Y73602	SUB GUIDE	○	○	
26		1		CA91002-1081	PRINT PARTNER	○	○	FOR FCPA
27		1		CA02464-F901	WARRANTY CARD	○	○	FOR FCI

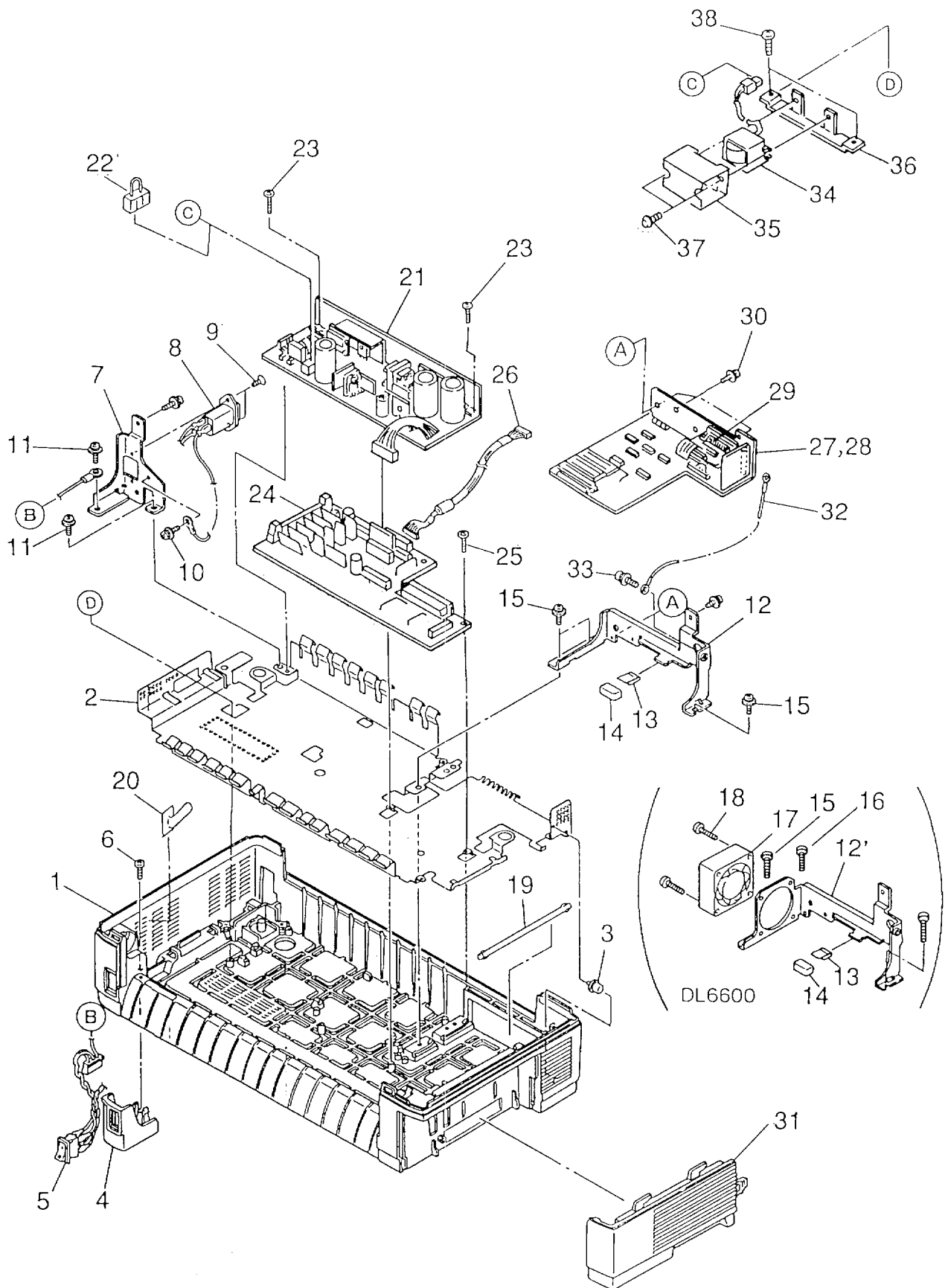
### 3.2 DL6400PRO/DL6600PRO PRINTER UPPER COVER ASSEMBLY



3.2 DL6400PRO/DL6600PRO PRINTER UPPER COVER ASSEMBLY

No.	Composition & Quantity		spec.	Parts name (Description)	DL6400 Pro	DL6600 Pro	Remarks
1	1		CA02515-G70103	UPPER COVER ASY	○	○	MANUAL
	1		CA04298-G70303	UPPER COVER ASY	○	○	APTC
2	1		CA02129-Y709	COVER	○	○	
3 - 4	1		CA04298-G721	FRONT COVER ASY	○	○	
3	1		CA04298-G723	FRONT COVER SUB ASY	○	○	
4	1		CA02129-Y72302	FRONT SUB ASY	○	○	
5	1		CA02515-G71102	TOP COVER ASY	○	○	
6	1		CA02129-G86502	REAR SUB COVER ASY	○	○	
7	1		CA02393-G73302	REAR COVER ASY2	○	○	
8	1		CA02393-Y723	ACOUSTIC COVER	○	○	
9-13	1		CA04298-F751	OPERATOR PANEL (LED)	⊙	⊙	ENGLISH
	1		CA04298-F752	OPERATOR PANEL (LED)	⊙	⊙	CHINESE
9'-15	1		CA02515-F756	OPERATOR PANEL (LCD)	○	⊙	LCD
9	1		CA04298-Y75002	OPERATOR PANEL (LED)	○	○	
9'	1		CA02129-G75202	OPERATOR PANEL (LCD)	○	○	
10	1		CA02464-Y751	PANEL SHEET (LED)	○	○	ENGLISH
	1		CA02464-Y752	PANEL SHEET (LED)	○	○	CHINESE
10'	1		CA02515-Y755	PANEL SHEET (LCD)	○	○	LCD
11	8		CA04298-Y75302	BOTTON (LED)	○	○	
11'	5		CA02129-Y75302	BOTTON (LCD)	○	○	LCD
12	1		CA20298-B61X	LEO93CA (LED)	○	○	
12'	1		CA20187-B41X	LCD93AA (LCD)	○	○	LCD
13	1		CA04298-Y754	SENSOR COVER (LED)	○	○	
14	1		CA02515-G756	SHIELD PLATE ASY (LCD)	○	○	LCD
15	1		CA02515-Y757	POLYESTER FILM (LCD)	○	○	LCD

### 3.3 DL6400PRO/DL6600PRO PRINTER LOWER COVER ASSEMBLY

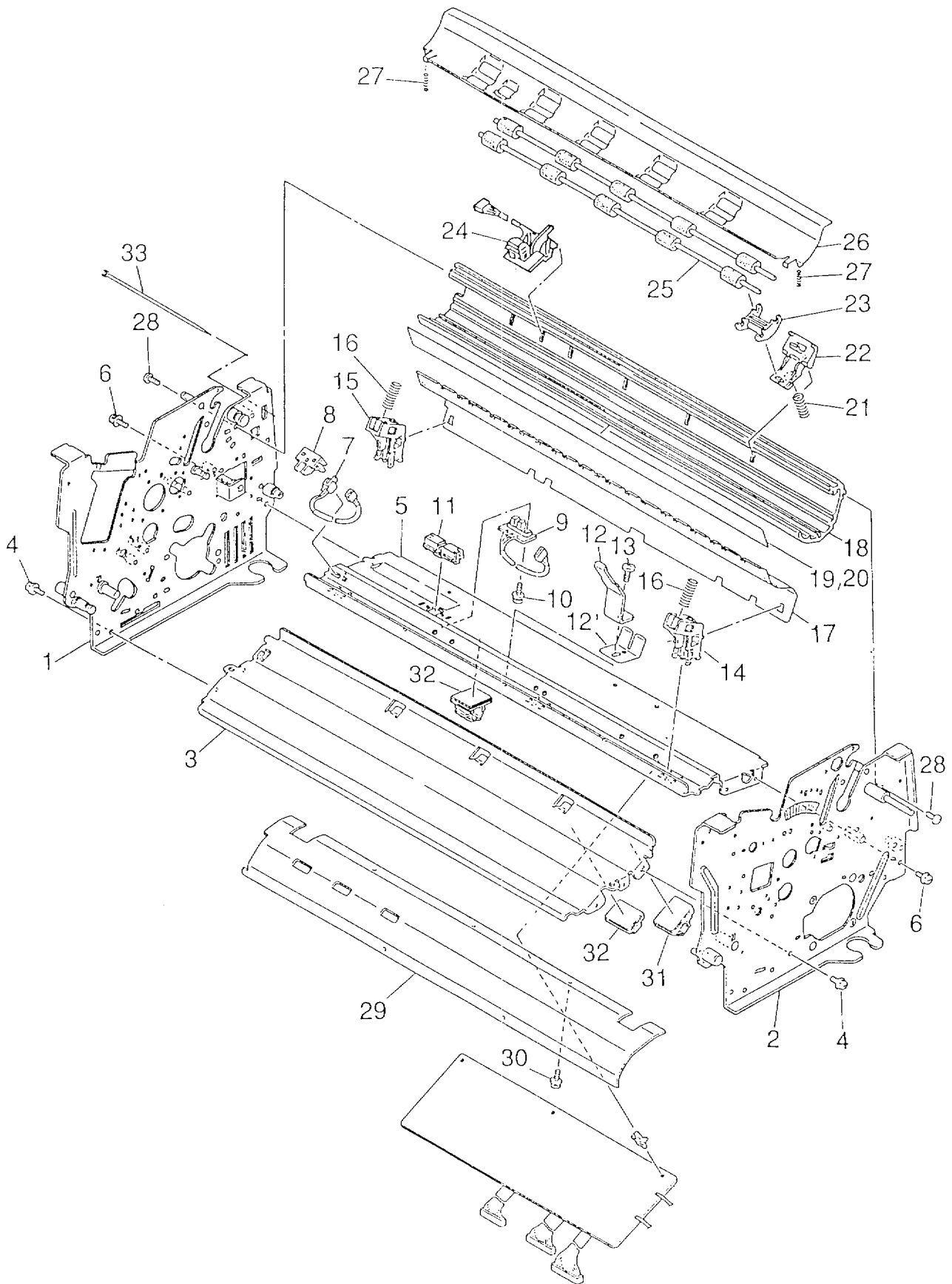


3.3 DL6400PRO/DL6600PRO PRINTER LOWER COVER ASSEMBLY

No.	Composition & Quantity		spec.	Parts name (Description)	DL6400 Pro	DL6600 Pro	Remarks
1-20	1		CA04298-G77103	LOWER COVER ASY	○		
	1		CA04299-G77103	LOWER COVER ASY		○	
1	1		CA04298-G77403	LOWER COVER SUB ASY	○	○	
2	1		CA02393-Y773	SHIELD PLATE	○	○	
3	1		CA02129-Y79302	BOTTON	○	○	
4	1		CA02129-Y77503	AC SW BRACKET	○	○	
5	1		CA02464-G776	AC SW SUB ASY	○	○	
6	1		F6-SN2TP3-08	SCREW	○	○	
7-10	1		CA02464-G778	AC BRACKET ASY	○	○	
7		1	CA02464-Y777	AC BRACKET	○	○	
8		1	CA02464-G779	INLET ASY	○		
9		2	F6-SSA3-06111	SCREW	○	○	
10		1	F6-SW2N4-06121	SCREW	○		
11		2	F6-SW2N4-10111	SCREW	○	○	
12-14	1		CA02393-G781	INF BRACKET ASY	○	○	
12'-14	1		CA02515-G781	INF BRACKET ASY		○	
12		1	CA02393-Y781	INF BRACKET	○		
12'		1	CA02515-Y781	INF BRACKET		○	
13		1	CA02129-Y785	FG PLATE	○	○	
14		1	CA02129-Y115	RUBBER FOOT	○	○	
15		3	F6-SW2N4-10121	SCREW	○		
		2	F6-SW2N4-10121	SCREW		○	
16	1		F6-SSA4-08111	SCREW		○	
17	1		CA81003-1013	FAN		⊙	
18	2		F6-SW2N3-25111	SCREW		○	
19	1		CA02129-Y789	TILT BAR	○	○	
20	1		CT-K-106G-KITAGAWA	CABLE CLAMP	○	○	
21-22	1		CA04298-F810	POW SUPPLY UNIT	⊙	⊙	100V
	1		CA04298-F815	POW SUPPLY UNIT	⊙	⊙	200V
21	1		CA02951-8010	POW SUPPLY	○	○	100V
	1		CA02951-8015	POW SUPPLY	○	○	200V
22	1		CA02926-G280	CONNECTOR	○	○	
23	2		F6-SN2TP3-10	TAPPING SCREW	○	○	
24	1		CA20267-B55X	DV BOARD	⊙		LDV96BA
	1		CA20267-B56X	DV BOARD		⊙	LDV96BB
25	3		F6-SN2TP3-10	TAPPING SCREW	○	○	
26	1		CA02129-G783	OP CABLE ASY	⊙	⊙	
27	1		CA04298-J101	ROM BOARD	⊙		WITH LHC97AA
	1		CA04298-J201	ROM BOARD	⊙		WITH LHC97BA
	1		CA04298-J216	ROM BOARD	⊙		WITH LHC97BA
	1		CA04298-J228	ROM BOARD	⊙		WITH LHC97BB
	1		CA04299-J101	ROM BOARD		⊙	WITH LHC97AA
	1		CA04299-J201	ROM BOARD		⊙	WITH LHC97BA
	1		CA04299-J228	ROM BOARD		⊙	WITH LHC97BB
	1		CA04299-J401	ROM BOARD		⊙	WITH LHC97BA
28	1		CA20296-B41X	MAIN BOARD	○	○	LCH97AA
	1		CA20296-B45X	MAIN BOARD	○	○	LCH97BA
	1		CA20296-B46X	MAIN BOARD	○	○	LCH97BB
29	1		CA20160-B81X	SERIAL BOARD	○	○	
30	3		F6-SW2N3-08121	SCREW	○	○	
31	1		CA02129-Y79102	SIDE COVER	○	○	
32	1		CA04298-G777	CABLE	○	○	
33	2		F6-SW2N4-08121	SCREW	○	○	
34-38	1		CA04298-G778	REACTOR ASY	○	○	100V
	1		CA04298-G779	REACTOR ASY	○	○	200V
34	1		CA81003-4567	REACTOR	⊙	⊙	100V
	1		CA81003-4568	REACTOR	⊙	⊙	200V
35	1		CA04298-Y783	POLYESTER FILM	○	○	
36	1		CA04298-Y782	BRACKET	○	○	
37	2		F6-SW2N3-08111	SCREW	○	○	
38	2		F6-SN2TP3-10	TAPPING SCREW	○	○	

### 3.4 DL6400PRO/DL6600PRO PRINTER MECHA UNIT

#### 3.4.1 DL6400PRO/DL6600PRO PRINTER MECHA UNIT (FRAME ASSEMBLY)

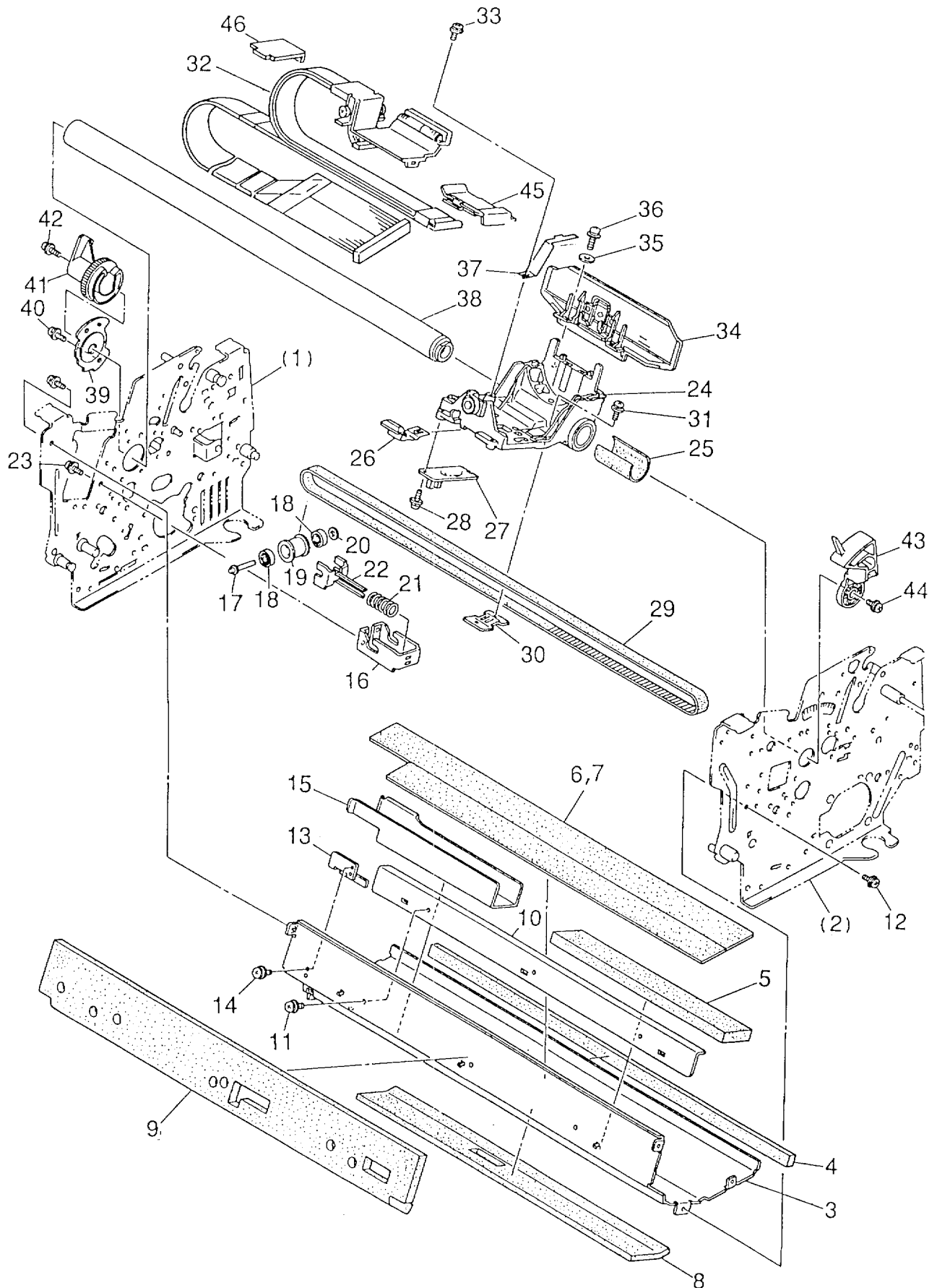




3.4.1 DL6400PRO/DL6600PRO PRINTER MECHA UNIT (FRAME ASSEMBLY)

No.	Composition & Quantity		spec.	Parts name (Description)	DL6400 Pro	DL6600 Pro	Remarks
* - *	(1)		CA04298-E121	PRINTER MECHA UNIT	⊙		
	(1)		CA04298-E221	PRINTER MECHA UNIT	⊙		
	(1)		CA04299-E101	PRINTER MECHA UNIT		⊙	
	(1)		CA04299-E201	PRINTER MECHA UNIT		⊙	
1 - 6	1		CA02464-F104	FRAME ASY	○	○	
1		1	CA02393-G104	FRAME L ASY	○	○	
2		1	CA02393-G105	FRAME R ASY	○	○	
3		1	CA02464-Y121	STAY F	○	○	
4		6	F6-SW2N3-08111	SCREW	○	○	
5		1	CA02464-G124	STAY R ASY	○	○	
6		4	F6-SW2N3-08111	SCREW	○	○	
7 - 8	1		CA02464-F478	TR2 SW UNIT	⊙	⊙	
7		1	CA02464-G478	TR2 SW ASY	○	○	
8		1	CA02129-Y478	TR2 SW HOLDER	○	○	
9	1		CA02464-G475	RTRPE PCA	⊙	⊙	
10	1		F6-SW3N3-08111	SCREW	○	○	
11	1		CA02129-Y476	PE2 COVER	○	○	
12	1		CA02129-Z323	REINFORCING PLATE	○	○	
12'	1		CA02393-Y333	SPRING R	○	○	
13	1		F6-SW2N3-08111	SCREW	○	○	
14	1		CA02129-Y483	PAPER GUIDE SUPPORT	○	○	
15	1		CA02393-G483	PAPER GUIDE SUPPORT ASY	○	○	
16	2		CA02129-Y482	SPRING	○	○	
17	1		CA02129-Y481	PAPER GUIDE	○	○	
18-27	1		CA02515-F461	ROLLER UNIT		○	
18-20	1		CA02393-G460	ROLLER STAY ASY	○		
18		1	CA02129-Y460	ROLLER STAY		○	
		1	CA02129-Z460	ROLLER STAY	○		
19		1	CA02129-Y468	SHEET	○	○	
20		1	CA02129-Z468	BOTH FACES TAPE	○	○	
21		5	CA02129-Z464	SPRING		○	
22		5	CA02129-Y462	ROLLER HOLDER		○	
23		5	CA02129-Y463	ROLLER HOLDER		○	
24		1	CA02515-F471	RCSPE UNIT		○	
25		2	CA02129-G465	ROLLER ASY		○	
26		1	CA02129-Y466	PAPER CRADLE		○	
27		2	CA02129-Y467	SPRING		○	
28	4		F6-SN31-TP4-10	TAPPING SCREW	○	○	
29	1		CA02464-Y130	L.P.G COVER	○	○	
30	5		F6-SW2N3-06111	SCREW	○	○	
31	1		CT-CKN-10-KITAGAWA	CLAMP	○	○	
32	2		CT-CKN-16-KITAGAWA	CLAMP	○	○	
33	1		F6-NYBT1	NYLON BAND	○	○	

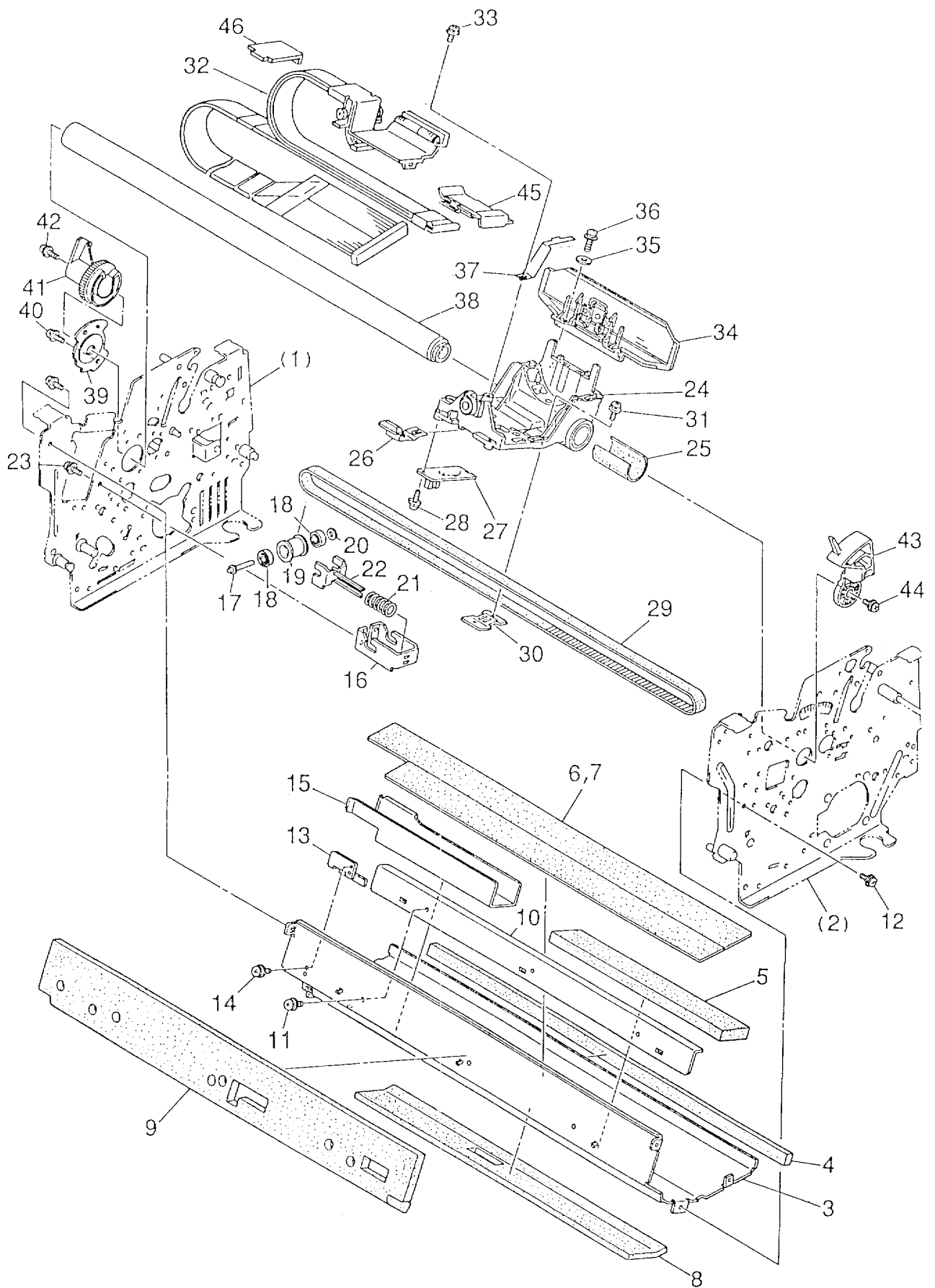
3.4.2 DL6400PRO/DL6600PRO PRINTER MECHA UNIT (Front Stay Assembly , Carrier Assembly)



3.4.2 DL6400PRO/DL6600PRO PRINTER MECHA UNIT (Front Stay Assembly)

No.	Composition & Quantity		spec.	Parts name (Description)	DL6400 Pro	DL6600 Pro	Remarks
3-11	1		CA02129-G151	FRONT STAY ASY	○	○	
3		1	CA02129-Y151	FRONT STAY	○	○	
4		1	CA02129-Z874	SOUND PROOF	○	○	
5		1	CA02129-Y885	SOUND PROOF	○	○	
6		1	CA02129-Z873	DAMPER	○	○	
7		1	CA02129-Z879	DAMPER	○	○	
8		1	CA02129-Z878	SOUND PROOF	○	○	
9		1	CA02129-Y873	SOUND PROOF	○	○	
10		1	CA02129-Y222	GUIDE STAY	○	○	
11		3	F6-SW2N4-08111	SCREW	○	○	
12	6		F6-SW2N3-08111	SCREW	○	○	
13		1	CA02393-Y120	SHIELDING PLATE	○	○	
14		1	F6-SW2N3-08111	SCREW	○	○	
15		1	CA02393-Y156	CABLE GUIDE	○	○	
16-22		1	CA02393-F205	TENSION UNIT	⊙	⊙	
16		1	CA02129-Y205	TENSION BRACKET A	○	○	
17		1	CA02129-Y210	SHAFT	○	○	
18		2	CA98001-1188	BAERING	○	○	
19		1	CA02129-Y209	PULLEY	○	○	
20		1	F6-WM5-111	WASHER	○	○	
21		1	CA02129-Z208	SPRING	○	○	
22		1	CA02129-G207	BRACKET B ASY	○	○	
23		2	F6-SW2N3-12111	SCREW	○	○	

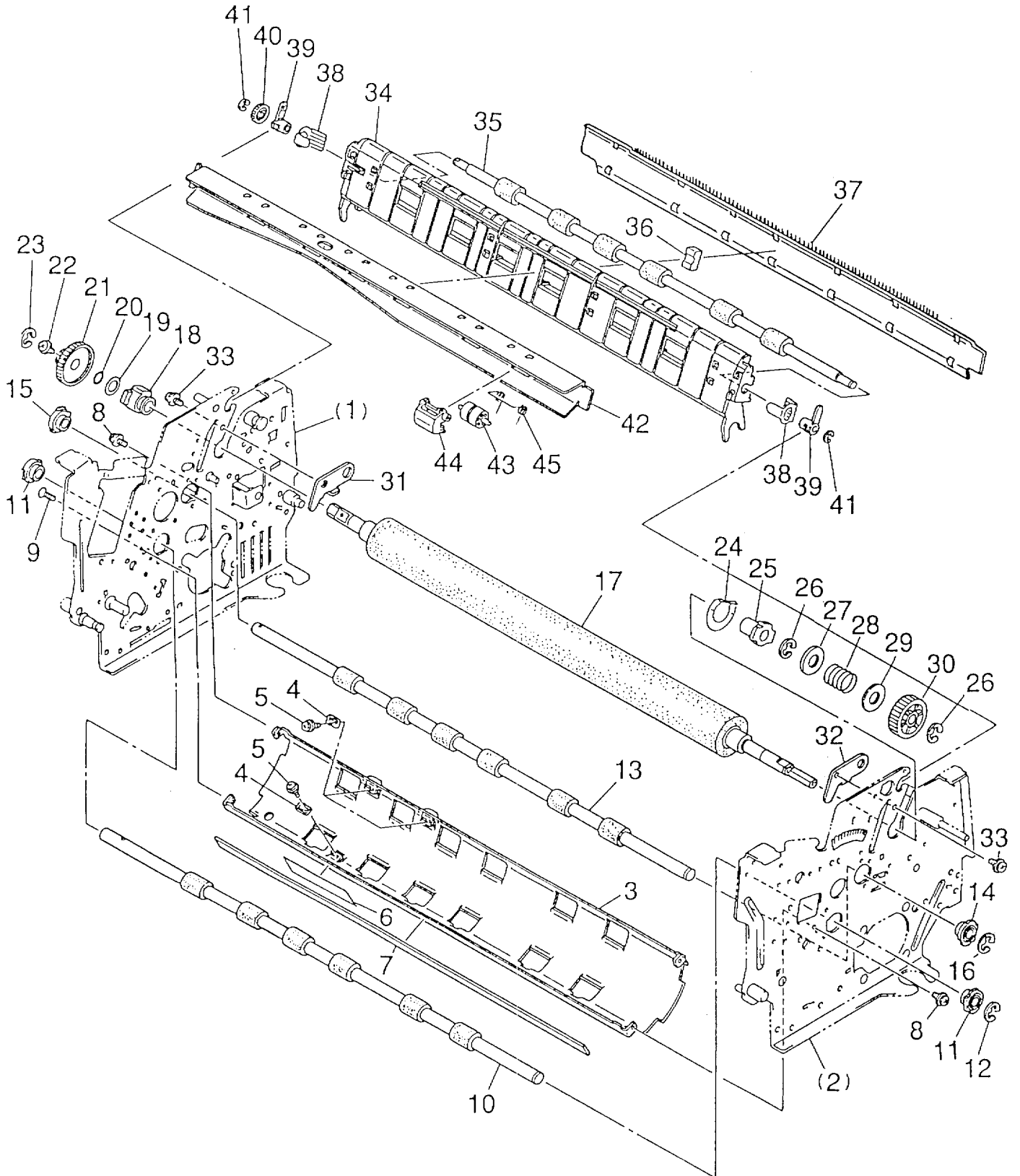
3.4.2 DL6400PRO/DL6600PRO PRINTER MECHA UNIT (CARRIER ASSEMBLY)



3.4.2 DL6400PRO/DL6600PRO PRINTER MECHA UNIT (CARRIER ASSEMBLY)

No.	Composition & Quantity		spec.	Parts name (Description)	DL6400 Pro	DL6600 Pro	Remarks
24-36	1		CA04298-F251	CARRIER UNIT	○	○	MANUAL
	1		CA04298-F253	CARRIER UNIT	○	○	APTC
24	1		CA02393-G250	CARRIER ASY	○	○	
25	1		CA02129-Y247	FELT	○	○	
26	1		CA02393-G265	PLATE SPRING ASY	○	○	
27	1		CA02393-G261	CARRIER PCA	○	○	
28	2		F6-SW2N3-08111	SCREW	○	○	
29	1		CA81003-1001	TIMING BELT	⊙	⊙	
30	1		CA02129-Y251	BELT CRAMP	○	○	
31	2		F6-SW2N3-08111	SCREW	○	○	
32	1		CA02393-G257	CARRIER CABLE ASY	⊙	⊙	MANUAL
	1		CA02393-G255	CARRIER CABLE ASY	⊙	⊙	APTC
33	2		F6-SW2N3-08111	SCREW	○	○	
34	1		CA05198-G545	CARD GUIDE ASY	⊙	⊙	MANUAL
	1		CA02393-G565	CARD GUIDE ASY	⊙	⊙	APTC
35	2		F6-WM4-111	WASHER	○	○	MANUAL
36	2		F6-SW3N3-08111	SCREW	○	○	
37	1		CA02393-Y256	BRACKET	○	○	APTC
38	1		CA02393-Y220	STAY SHAFT	○	○	MANUAL
	1		CA02129-Z220	STAY SHAFT	○	○	APTC
39	1		CA02129-Y221	ECCENTRIC PLATE	○	○	MANUAL
	1		CA02393-G221	ECCENTRIC PLATE	○	○	APTC
40	2		F6-SW2N4-08111	SCREW	○	○	
41	1		CA02129-Y511	SS GEAR	○	○	APTC
42	1		F6-SW2N4-08111	SCREW	○	○	APTC
43	1		CA02393-Y511	MPT LEVER	○	○	MANUAL
	1		CA02393-Y510	MPT LEVER	○	○	APTC
44	1		F6-SW2N3-08111	SCREW	○	○	
45	1		CA02129-Y152	CABLE HOLDER C	○	○	
46	1		CA02129-Y153	CABLE HOLDER L	○	○	

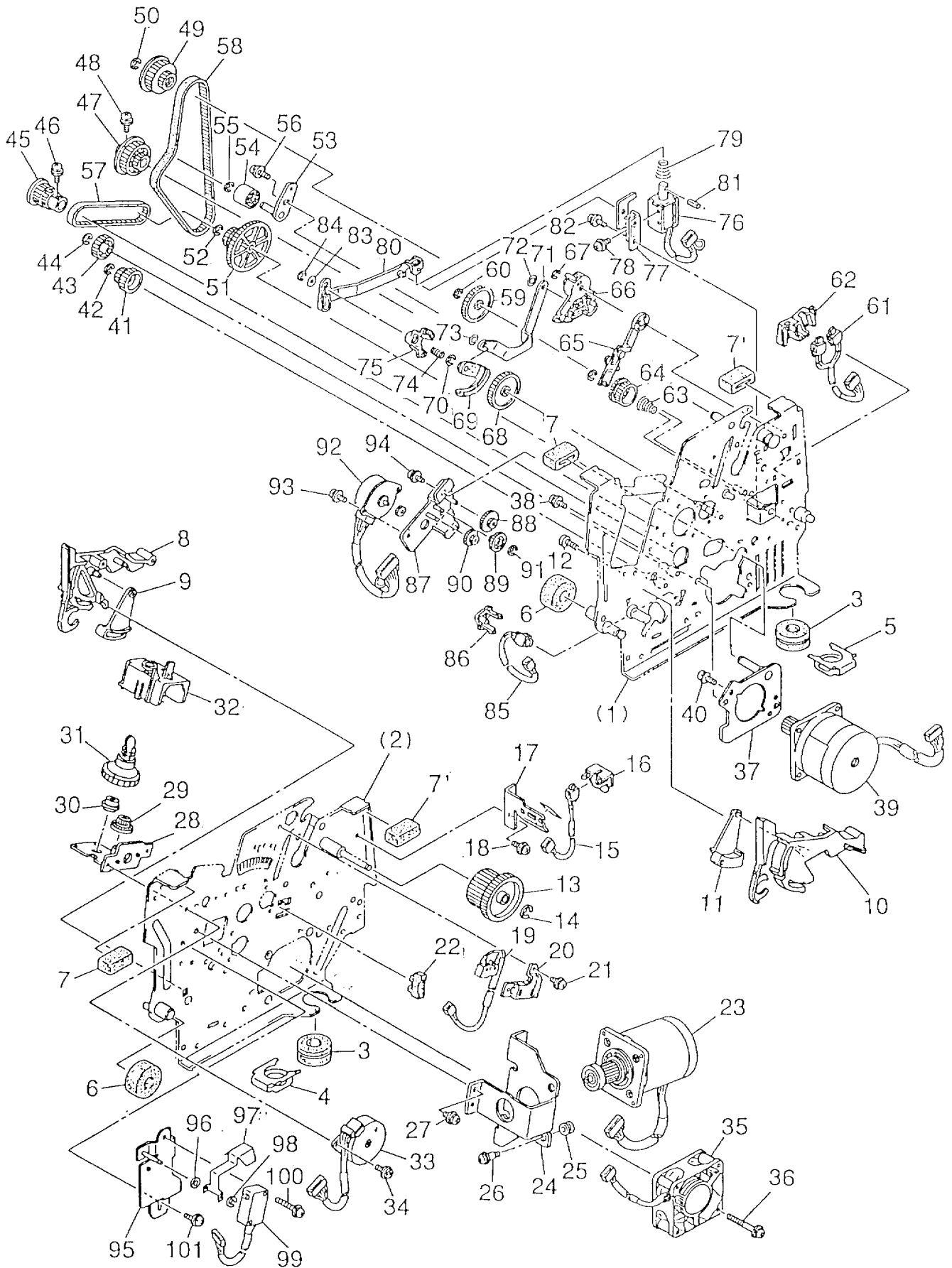
3.4.3 DL6400PRO/DL6600PRO PRINTER MECHA UNIT (ROLLER ASSEMBLY)



3.4.3 DL6400PRO/DL6600PRO PRINTER MECHA UNIT (ROLLER ASSEMBLY)

No.	Composition & Quantity		spec.	Parts name (Description)	DL6400 Pro	DL6600 Pro	Remarks
3 - 7	1		CA02393-F361	PAPER GUIDE MU	○	○	
3		1	CA02393-G361	PAPER GUIDE ASY	○	○	
4		3	CA02129-Y363	PRISM	○	○	
5		3	F6-SW2N2-05111	SCREW	○	○	
6		1	CA02129-Z364	CURTAIN	○	○	
7		1	CA02129-Z876	DAMPER	○	○	
8	3		F6-SW2N3-06111	SCREW	○	○	
9	1		F6-SSA3-08111	SCREW	○	○	
10	1		CA02129-G351	FEED ROLLER BU ASY	○	○	
11	2		CA02129-Y359	BEARING	○	○	
12	1		F6-ER8-SUS	RETAINING RING (E)	○	○	
13	1		CA02393-G357	FEED ROLLER MU ASY	○	○	
14	1		CA02129-Y359	BEARING	○	○	
15	1		CA02129-Z359	BEARING	○	○	
16	1		F6-ER8-SUS	RETAINING RING (E)	○	○	
17-23	1		CA04298-F375	PLATEN UNIT	⊗	⊗	
17		1	CA04298-G370	PLATEN ASY	○	○	
18		1	CA02129-Y373	BEARING	○	○	
19		1	CA02129-Y376	SPACER	○	○	
20		1	JB-R1AP8	O RING	○	○	
21		1	CA02129-Z415	GEAR	○	○	
22		1	F6-SW1N3-08111	SCREW	○	○	
23		1	F6-ER8-SUS	RETAINING RING (E)	○	○	
24	1		CA02129-Y375	SPRING	○	○	
25	1		CA02129-Y374	BEARING R	○	○	
26	2		F6-ER8-SUS	RETAINING RING (E)	○	○	
27	1		CA02393-Y371	SPACER	○	○	
28	1		CA02393-Y370	SPRING	○	○	
29	1		F6-WM10-121	WASHER	○	○	
30	1		CA02129-Y417	PLATEN GEAR	○	○	
31	1		CA02129-Z373	PRESSER PLATE L	○	○	
32	1		CA02129-Z374	PRESSER PLATE R	○	○	
33	2		F6-SW2N4-08111	SCREW	○	○	
34-45	1		CA04298-F301	3RD ROLLER UNIT	⊗	⊗	
34		1	CA02393-Y301	PAPER GUIDE 3B	○	○	
35		1	CA02393-G302	DV ROLLER 3B	○	○	
36		1	CA02393-Y308	ROLLER SUPPORT 3B	○	○	
37		1	CA04298-G304	GUIDE ASY	○	○	
38	2		CA02393-Y303	FG PLATE 3B	○	○	
39	2		CA02393-Y305	BEARING 3B	○	○	
40	1		CA02393-Y306	GEAR 3B	○	○	
41	2		F6-ER4-SUS	RETAINING RING (E)	○	○	
42	1		CA02393-Y311	PAPER GUIDE 3F	○	○	
43	6		CA02129-Y303	ROLLER UB	○	○	
44	6		CA02393-Y312	ROLLER PRESSER	○	○	
45	6		CA04298-Y315	DOUBLE TORSION 3F	○	○	

3.4.4 DL6400PRO/DL6600PRO PRINTER MECHA UNIT (SIDE FRAME ASSEMBLY-1)

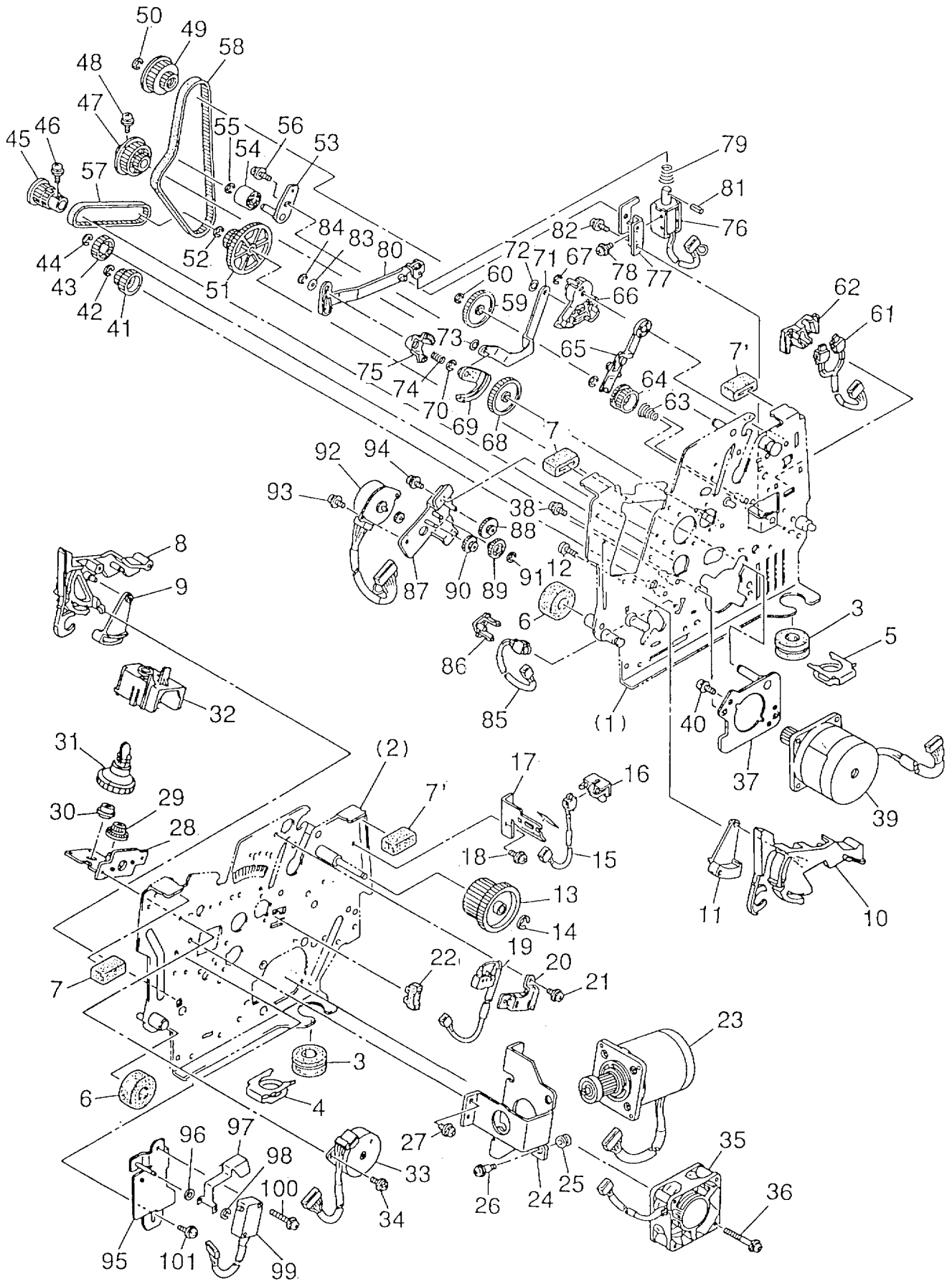




3.4.4 DL6400PRO/DL6600PRO PRINTER MECHA UNIT (SIDE FRAME ASSEMBLY-1)

No.	Composition & Quantity		spec.	Parts name (Description)	DL6400	DL6600	Remarks
					Pro	Pro	
3	2		CA02129-Y111	RUBBER FOOT	○	○	
4	1		CA02129-Y119	FG PLATE R	○	○	
5	1		CA02129-Y117	FG PLATE L	○	○	
6	2		CA02129-Y113	RUBBER FOOT	○	○	
7	2		CA02129-Y115	RUBBER FOOT	○	○	
7'	2		CA02393-Y115	RUBBER FOOT	○	○	
8	1		CA02129-Y815	SIDE BRACKET R	○	○	
9	1		CA02129-Y817	ARM R	○	○	
10	1		CA02129-Y811	SIDE BRACKET L	○	○	
11	1		CA02129-Y813	ARM L	○	○	
12	4		F6-SN2TP3-10	TAPPING SCREW	○	○	
13	1		CA02129-Y419	CSF IDLE GEAR	○	○	
14	1		F6-ER6-SUS	RETAINING RING (E)	○	○	
15-17	1		CA02129-F498	STACKER SENSOR UNIT	⊙	⊙	
15		1	CA02129-G498	STACKER SENSOR ASY	○	○	
16		1	CA02129-Y478	TR2 SW HOLDER	○	○	
17		1	CA02129-Y498	STACKER SENSOR HOLDER	○	○	
18	1		F6-SW2N3-08111	SCREW	○	○	
19-20	1		CA02393-F521	MGCS SW UNIT	⊙	⊙	MANUAL
19		1	CA02393-G521	MGCS SW ASY	○	○	MANUAL
20		1	CA02393-Y521	MGCS SW HOLDER	○	○	MANUAL
21	1		F6-SW2N3-06111	SCREW	○	○	MANUAL
22	1		CA02393-Y204	RUBBER SPACER	○	○	
23	1		CA02129-G202	SP MOTER ASY	⊙	⊙	
24	1		CA02129-Y201	SP BRACKET	○	○	
25	3		D860-1156-X232	RUBBER BUSH	○	○	
26	3		D860-1156-X233	SCREW	○	○	
27	3		F6-SW2N4-08111	SCREW	○	○	
28-32	1		CA02393-F280	RF UNIT	○	○	
28		1	CA02129-G280	RF BRACKET ASY	○	○	
29		1	CA02129-Y287	GEAR	○	○	
30		1	CA02129-Y285	BEARING	○	○	
31		1	CA02129-G282	RF GEAR ASY	○	○	
32		1	CA02129-Y286	RF COVER	○	○	
33	1		CA02129-G288	RF MOTOR ASY	⊙	⊙	
34	2		F6-SW2N3-08111	SCREW	○	○	
35	1		CA81003-1010	FAN	⊙	⊙	
36	2		F6-SW2N3-30111	SCREW	○	○	

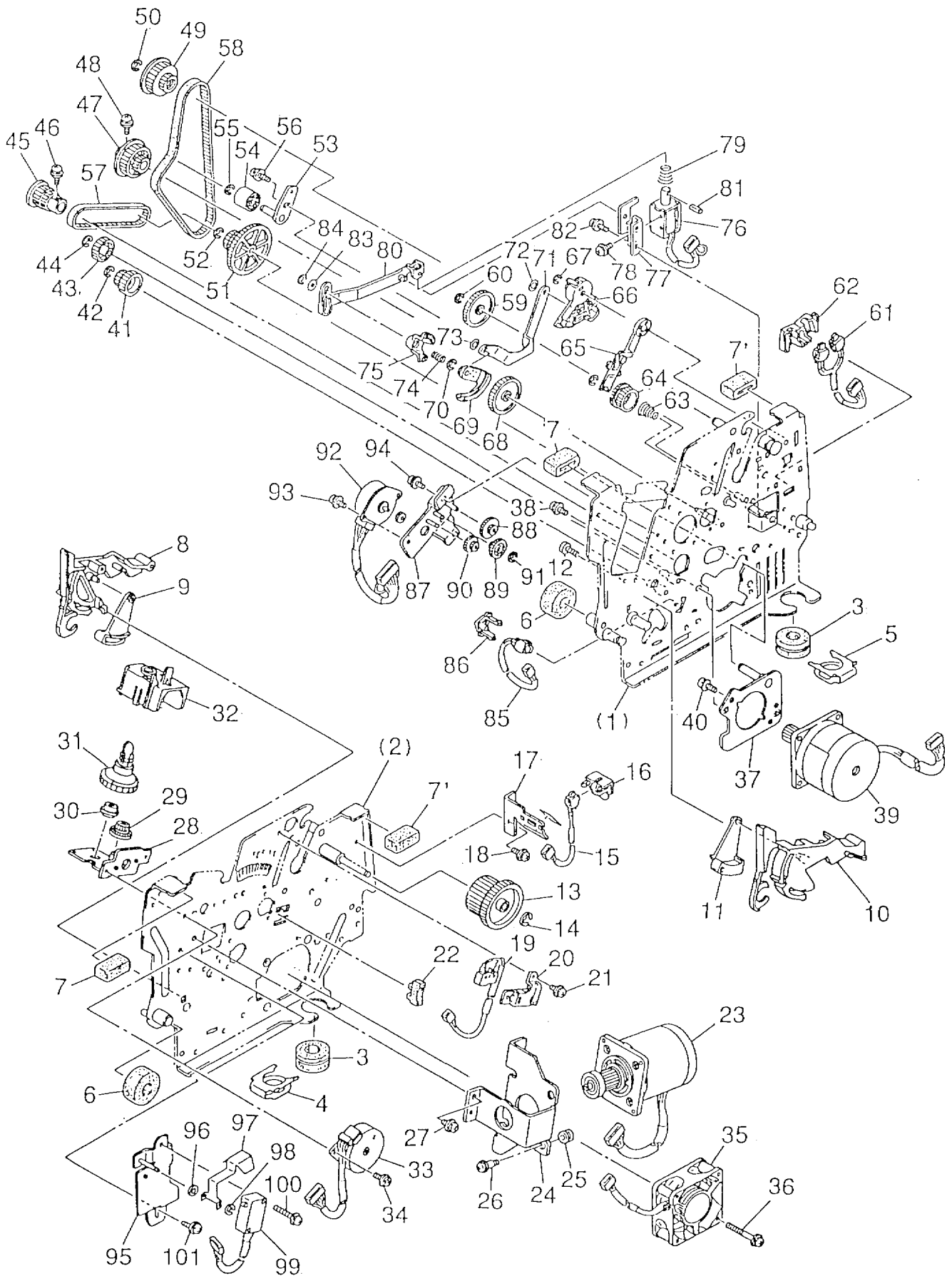
3.4.4 DL6400PRO/DL6600PRO PRINTER MECHA UNIT (SIDE FRAME ASSEMBLY-2)



3.4.4 DL6400PRO/DL6600PRO PRINTER MECHA UNIT (SIDE FRAME ASSEMBLY-2)

No.	Composition & Quantity		spec.	Parts name (Description)	DL6400 Pro	DL6600 Pro	Remarks
37	1		CA02129-G431	LF MOTER BRACKET ASY	○	○	
38	2		F6-SW2N4-08111	SCREW	○	○	
39	1		CA02464-G431	LF MOTER UNIT	◎	◎	
40	2		F6-SW2N4-10111	SCREW	○	○	
41	1		CA02129-Y403	FTD GEAR	○	○	
42	1		F6-ER4-SUS	RETAINING RING (E)	○	○	
43	1		CA02129-Y405	FT IDLE GEAR	○	○	
44	1		F6-ER4-SUS	RETAINING RING (E)	○	○	
45	1		CA02129-Y421	PULLEY	○	○	
46	1		F6-SW2N3-08111	SCREW	○	○	
47	1		CA02129-Y423	PULLEY	○	○	
48	1		F6-SW2N3-08111	SCREW	○	○	
49	1		CA02393-Y307	GEAR PULLEY U	○	○	
50	1		F6-ER4-SUS	RETAINING RING (E)	○	○	
51	1		CA02129-Y433	GEAR PULLEY	○	○	
52	1		F6-ER4-SUS	RETAINING RING (E)	○	○	
53-55	1		CA02129-G427	TENSION PULLEY ASY	○	○	
53	1	1	CA02129-G429	TENSION BRACKET ASY	○	○	
54	1	1	CA02129-Y427	TENSION PULLEY	○	○	
55	1	1	F6-ER4-SUS	RETAINING RING (E)	○	○	
56	1		F6-SW2N3-08111	SCREW	○	○	
57	1		CA98001-1206	LF BELT 1	◎	◎	
58	1		CA98001-2337	LF BELT 2	◎	◎	
59	1		CA02129-Y413	IDLE GEAR	○	○	
60	1		F6-ER4-SUS	RETAINING RING (E)	○	○	
61-62	1		CA02464-F368	RT SW UNIT	◎	◎	
61	1	1	CA02464-G368	RT SW ASY	○	○	
62	1	1	CA02129-Y367	RT SW HOLDER	○	○	
63	1		CA02129-Y439	SPRING	○	○	
64	1		CA02129-Y437	SHIFT GEAR	○	○	
65	1		CA02129-G438	SHIFT LEVER ASY	○	○	
66	1		CA02129-Z447	PLATE 2	○	○	
67	1		F6-ER3-SUS	RETAINING RING (E)	○	○	
68	1		CA02129-Y411	CLUTCH GEAR	○	○	
69	1		CA02129-Y443	RT GEAR	○	○	
70	1		F6-ER4-SUS	RETAINING RING (E)	○	○	
71	1		CA02129-Y445	LINK	○	○	
72	1		CA98001-1495	SE5	○	○	
73	1		CA98001-1494	SE4	○	○	
74	1		CA02129-Y457	SPRING	○	○	
75	1		CA02129-Y451	CLUTCH	○	○	
76-81	1		CA04298-G451	MG UNIT	◎	◎	
76	1	1	CA81003-4571	MAGNET	○	○	
77	1	1	CA02129-Y455	MG BRACKET	○	○	
78	2		F6-SW3N3-06111	SCREW	○	○	
79	1		CA02129-Y456	SPRING	○	○	
80	1		CA02129-Y453	MG LEVER	○	○	
81	1	1	F6-PS3-10SUS	PIN	○	○	
82	1		F6-SW2N3-08111	SCREW	○	○	
83	1		CA02129-Y454	SLIDER	○	○	
84	1		F6-ER2-SUS	RETAINING RING (E)	○	○	

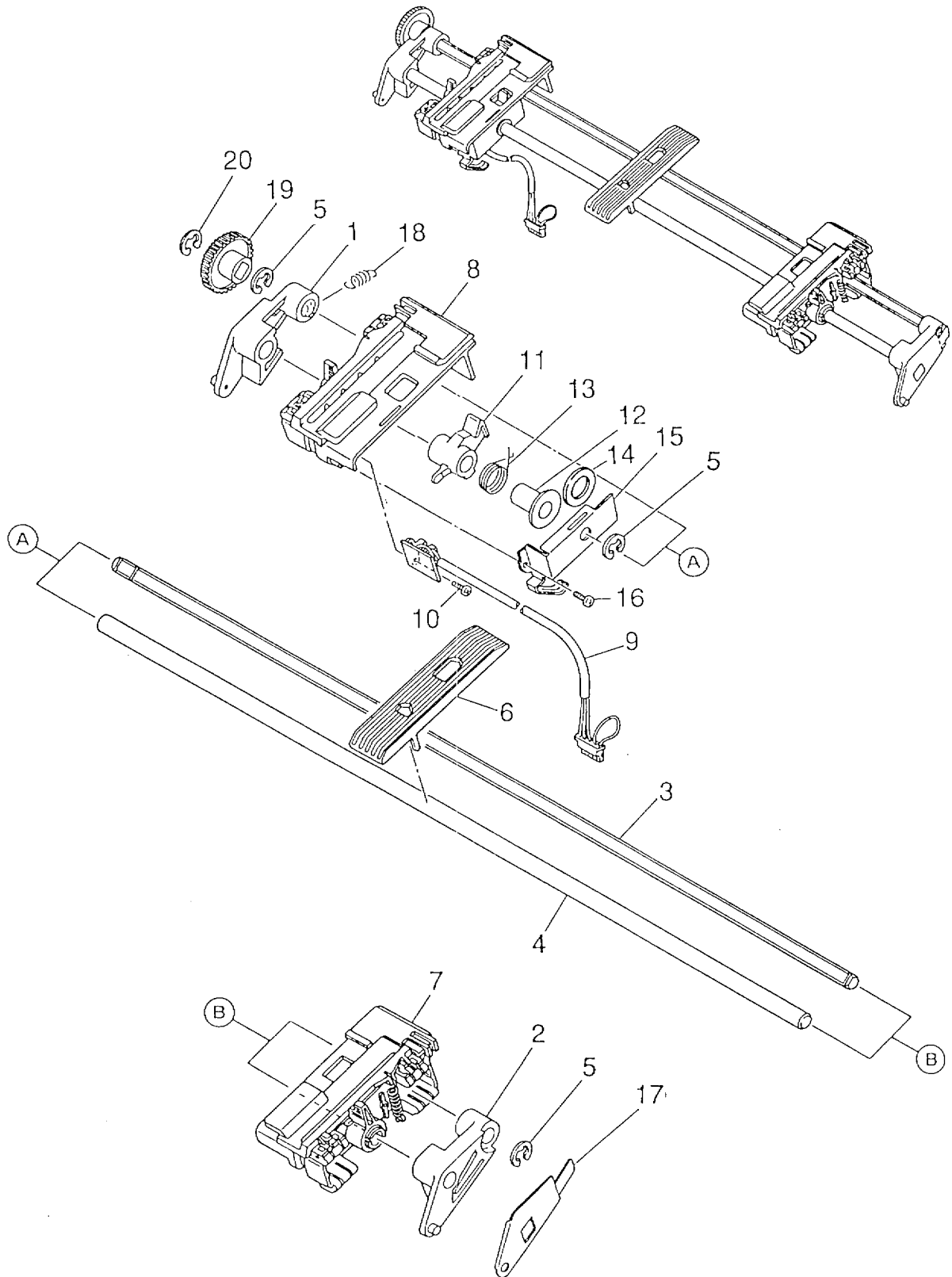
3.4.4 DL6400PRO/DL6600PRO PRINTER MECHA UNIT (SIDE FRAME ASSEMBLY-3)



3.4.4 DL6400PRO/DL6600PRO PRINTER MECHA UNIT (SIDE FRAME ASSEMBLY-3)

No.	Composition & Quantity		spec.	Parts name (Description)	DL6400 Pro	DL6600 Pro	Remarks
85-86	1		CA02464-F365	OC SW UNIT	⊙	⊙	
85		1	CA02464-G365	OC SW ASY	○	○	
86		1	CA02129-Y365	OC SW HOLDER	○	○	
87-93	1		CA02464-F501	APTC UNIT	⊙	⊙	APTC
87		1	CA02393-G501	APTC BRACKET ASY	○	○	APTC
88		1	CA02393-Y505	GEAR A	○	○	APTC
89		1	CA02393-Y506	GEAR B	○	○	APTC
90		1	CA02393-Y507	GEAR C	○	○	APTC
91		1	F6-ER2-SUS	RETAINING RING (E)	○	○	APTC
92		1	CA02464-G501	APTC MOTER	○	○	APTC
93		2	F6-SW2N3-06111	SCREW	○	○	APTC
94	2		F6-SW2N3-06111	SCREW	○	○	APTC
95-100	1		CA02515-F210	INTERLOCK SW UNIT	⊙	⊙	
95		1	CA02515-G211	BRACKET I ASY	○	○	
96		1	CT-STW-FT-2.6X4.7X0.25	POLY SLIDER	○	○	
97		1	CA02515-Y213	LEVER	○	○	
98		1	F6-ER2-SUS	RETAINING RING (E)	○	○	
99		1	CA02515-G210	INTERLOCK SW ASY	○	○	
100		1	F6-SW2N3-16111	SCREW	○	○	
101	2		F6-SW2N3-08111	SCREW	○	○	

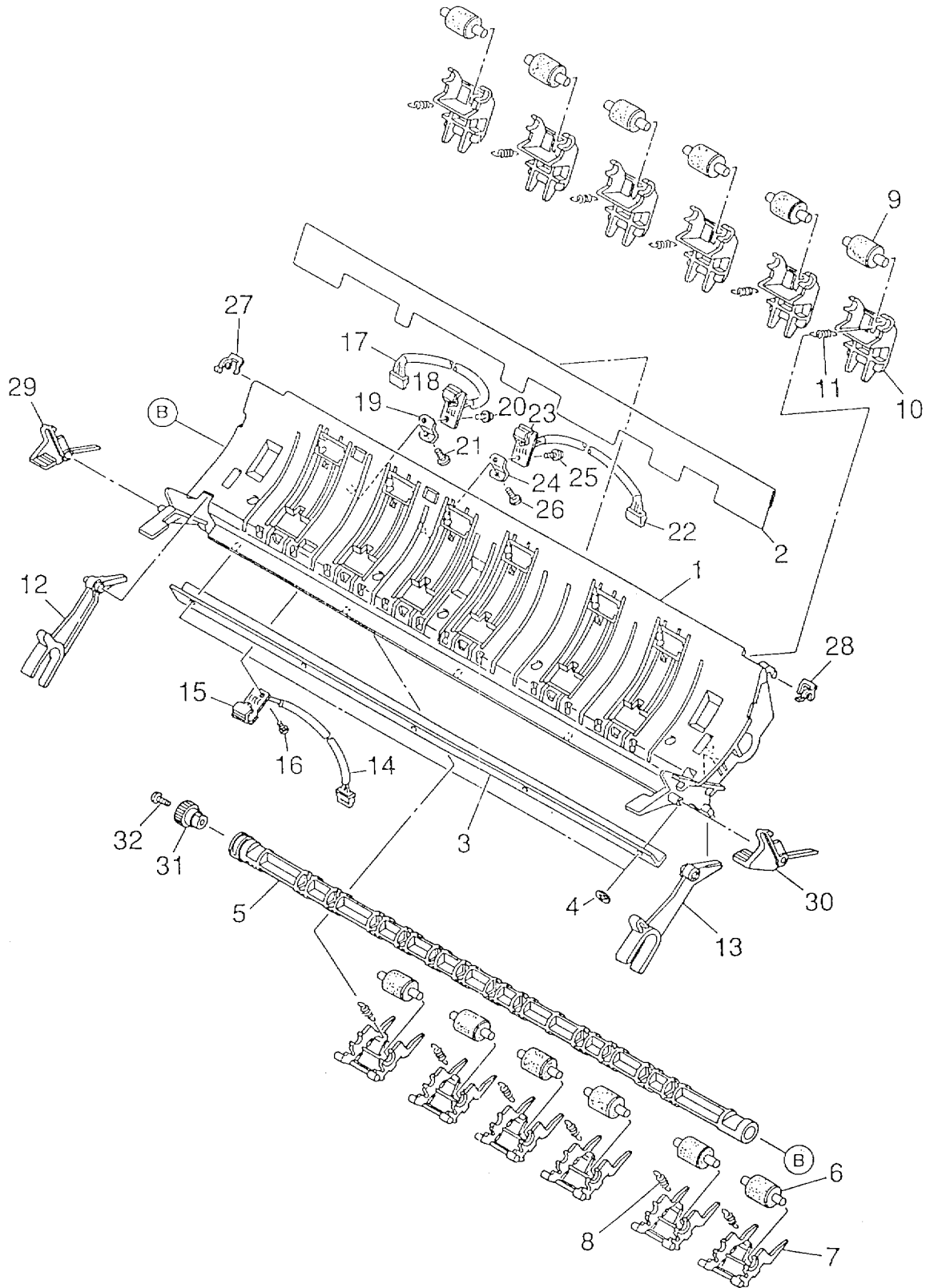
3.4.5 DL6400PRO/DL6600PRO PRINTER MECHA UNIT (FRONT TRACTOR ASSEMBLY)



3.4.5 DL6400PRO/DL6600PRO PRINTER MECHA UNIT (FRONT TRACTOR ASSEMBLY)

No.	Composition & Quantity		spec.	Parts name (Description)	DL6400 Pro	DL6600 Pro	Remarks
1-16	1		CA02464-F382	FRONT TRACTOR UNIT	⊙	⊙	
1		1	CA02129-Y381	TRACTOR FLAME L	○	○	
2		1	CA02129-Y382	TRACTOR FLAME R	○	○	
3		1	CA02129-Y385	SQUARE SHAFT	○	○	
4		1	CA02393-Y389	FLAME SHAFT	○	○	
5		3	F6-ER6-SUS	RETAINING RING (E)	○	○	
6		1	CA02129-Y388	CENTER GUIDE	○	○	
7		1	CA81002-182002	TRACTOR FR	○	○	
8-10		1	CA02464-G384	TRACTOR R ASY	○	○	
8		1	CA81002-182001	TRACTOR FL,RR	○	○	
9		1	CA02464-G385	FTRPE PCA	○	○	
10		1	F6-SN2TP3-06	SCREW	○	○	
11		1	CA02393-Y383	PE LEVER	○	○	
12		1	D860-1157-X537	SLEEVE	○	○	
13		1	D860-1157-X538	SPRING	○	○	
14		1	CA02393-Z388	DAMPER	○	○	
15		1	CA02393-Y388	SHIELD PLATE	○	○	
16		1	F6-SN2TP3-06	SCREW	○	○	
17	1		CA02129-Y397	FG PLATE	○	○	
18	1		CA02129-Y395	SPRING	○	○	
19	1		CA02129-Y401	TRACTOR GEAR	○	○	
20	1		F6-ER6-SUS	RETAINING RING (E)	○	○	

3.4.6 DL6400PRO/DL6600PRO PRINTER MECHA UNIT (LOWER PAPER GUIDE ASSEMBLY)





3.4.6 DL6400PRO/DL6600PRO PRINTER MECHA UNIT (LOWER PAPER GUIDE ASSEMBLY)

No.	Composition & Quantity		spec.	Parts name (Description)	DL6400 Pro	DL6600 Pro	Remarks
1-26	1		CA02464-F321	LOWER PAPER GUIDE UNIT	○	○	
1		1	CA02393-Y321	LOWER PAPER GUIDE	○	○	
2		1	CA02393-Y325	SHEET	○	○	
3		1	CA02393-Z325	REINFORCING PLATE	○	○	
4		5	CA98001-0574	SE3	○	○	
5		1	CA02129-Y328	OC SHAFT	○	○	
6		6	CA02129-G331	ROLLER ASY	○	○	
7		6	CA02129-Y331	HOLDER BL	○	○	
8		6	CA02129-Z333	SPRING	○	○	
9		6	CA02129-G337	ROLLER ASY	○	○	
10		6	CA02129-Y341	HOLDER ML	○	○	
11		6	CA02129-Y343	SPRING	○	○	
12		1	CA02129-Y391	TRACTOR LEVER L	○	○	
13		1	CA02129-Y392	TRACTOR LEVER R	○	○	
14-15		1	CA02464-G345	PSS1 ASY	⊙	⊙	
14		1	CA02464-G346	SENSOR 1 ASY	○	○	
15		1	CA02129-Y347	SENSOR CASE	○	○	
16		1	F6-SN2TP3-06	TAPPING SCREW	○	○	
17-18		1	CA02464-G347	PSS2 ASY	⊙	⊙	
17		1	CA02464-G349	SENSOR 2 ASY	○	○	
18		1	CA02129-Y347	SENSOR CASE	○	○	
19		1	CA02129-Y348	SENSOR HOLDER	○	○	
20		1	F6-SW2N3-05111	SCREW	○	○	
21		1	F6-SN2TP3-06	TAPPING SCREW	○	○	
22-23		1	CA02464-G343	PIS ASY	⊙	⊙	
22		1	CA02464-G344	SENSOR 3 ASY	○	○	
23		1	CA02129-Y347	SENSOR CASE	○	○	
24		1	CA02129-Y348	SENSOR HOLDER	○	○	
25		1	F6-SW2N3-05111	SCREW	○	○	
26		1	F6-SN2TP3-06	TAPPING SCREW	○	○	
27		1	CA02129-Y323	LOCK PIECE L	○	○	
28		1	CA02129-Y324	LOCK PIECE R	○	○	
29		1	CA02129-Y325	LOCK LEVER L	○	○	
30		1	CA02129-Y326	LOCK LEVER R	○	○	
31		1	CA02129-Y441	OC GEAR	○	○	
32		1	F6-SN2TP3-06	TAPPING SCREW	○	○	





FUJITSU